



SISTEMA / SYSTEM

# **KOMATSU - TRASTEEL TSK**

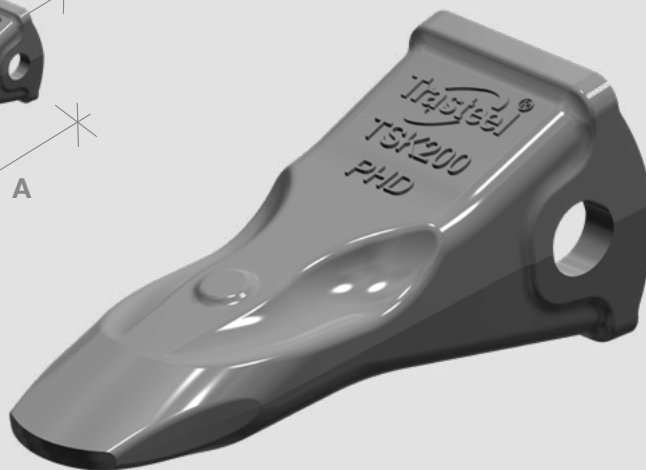
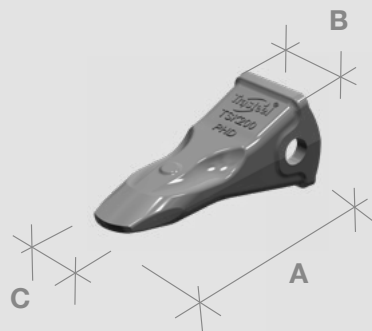
Compatible y adaptable al sistema KOMATSU /  
Compatible and adaptable for KOMATSU system



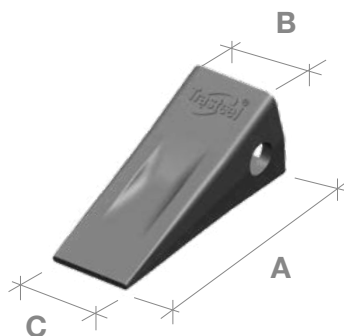
**DIENTES / TEETH**  
**Penetration HD Elite - PHD**



-  Mayor Rendimiento  
Better Performance
-  Mayor Durabilidad  
Longer Wear-life
-  Mayor Penetración  
Higher Penetration
-  Autoafilante  
Self Sharpening
-  Diseño Elite  
Elite Design
-  Aleación De Alta Calidad  
High Quality Alloy



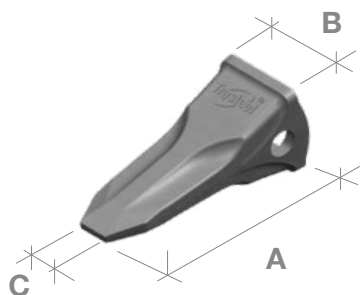
Talla Size	Referencia Reference	Peso Weight	A	B	C	Alternativa Alternative OEM	Portadientes Adapters	Pasador Pin
PC200	<b>TSK-200-PHD</b>	5,6	260	100	56	<b>205-70-19570</b>	205-70-68141	09244 - 02496
PC300	<b>TSK-300-PHD</b>	8,65	290	124	59	<b>207-70-14151</b>	207-70-14142	09244 - 02516
PC400	<b>TSK-400-PHD</b>	13,5	330	145	73	<b>208-70-14152</b>	208 - 70 - 14143	09244 - 03036



Talla Size	Referencia Reference	Peso Weight	A	B	C	Portadientes Adapters	Pasador Pin
PC60	<b>201-70-24140</b>	1,8	-	-	-	-	20X-70-00150
PC100	<b>20X-70-14160</b>	2,3	175	77	65	-	20X-70-00100
PC120	<b>202-70-12130</b>	4,2	202	92	85	-	202-70-12140
PC200	<b>205-70-19570</b>	4,1	219	96	78	205-70-68141	09244-02496
PC300	<b>207-70-14151</b>	6,6	244	120	94	207-70-14142	09244-02516
PC400	<b>208-70-14152</b>	9,5	274	151	113	208-70-14143	09244-03036
PC650	<b>209-70-54210</b>	28	370	174	140	209-70-74140	209-70-54240
PC1250	<b>21N-72-14290</b>	43	450	180	163	21N-70-14140	21N-70-14330



**DIENTES / TEETH**  
Rock Chisel - RC



Talla Size	Referencia Reference	Peso Weight	A	B	C	Alternativa Alternative Elite	Portadientes Adapters	Pasador Pin
PC100	<b>20X-70-14160RC</b>	2,5	-	-	-	-	-	-
PC200	<b>205-70-19570RC</b>	5,4	254	100	38	<b>TSK-200-PHD</b>	205-70-68141	09244-02496
PC300	<b>207-70-14151RC</b>	8,8	290	126	42	<b>TSK-300-PHD</b>	207-70-14142	09244-02516
PC400	<b>208-70-14152RC</b>	13,8	360	154	54	<b>TSK-400-PHD</b>	208-70-14143	09244-03036
PC650	<b>209-70-54210RC</b>	32	440	180	70	-	209-70-74140	209-70-54240
PC1250	<b>21N-72-14290RC</b>	54,5	-	-	-	-	21N-70-14140	21N-70-14330



Talla Size	Referencia Reference	Peso Weight	A	B	C	Portadientes Adapters	Pasador Pin
PC200	<b>205-70-19570TL</b>	5	-	-	-	09244-02496	09244-02496
PC300	<b>207-70-14151TL</b>	9,2	-	-	-	09244-02516	09244-02516
PC400	<b>208-70-14152TL</b>	13,9	-	-	-	09244-03036	09244-03036
PC650	<b>209-70-54210TL</b>	27,3	-	-	-	209-70-54240	209-70-54240
PC1250	<b>21N-72-14290TL</b>	44	-	-	-	21N-72-14330	21N-70-14330



**DIENTES / TEETH**  
Esco - STD



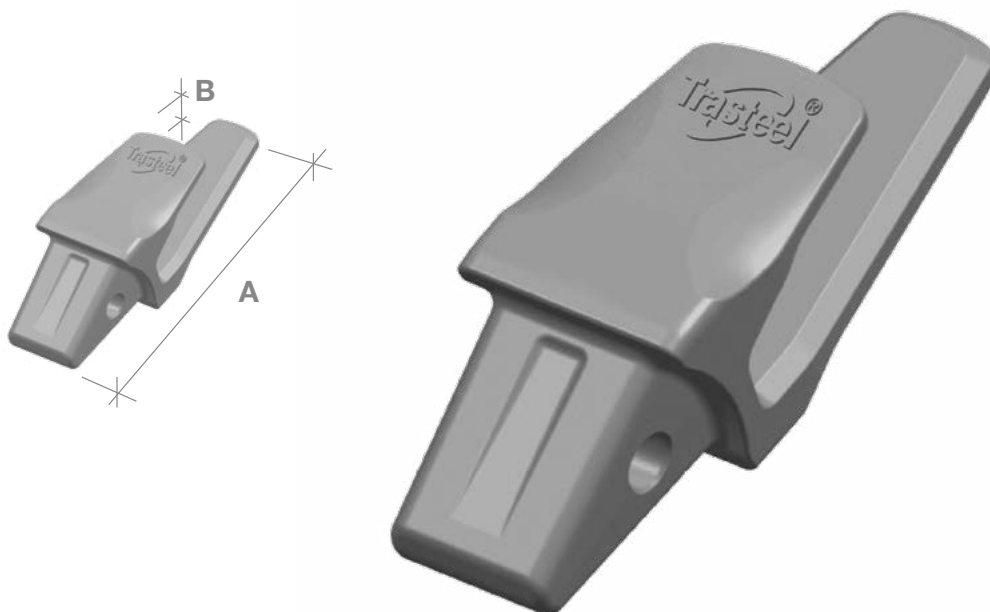
Talla Size	Referencia Reference	Peso Weight	A	B	C	Portadientes Adapters	Pasador Pin
PC60	<b>20X-70-23161 (25S)</b>	2,3	-	-	-	-	25-30PN
PC100	<b>203-70-43150 (30S)</b>	2,5	-	-	-	-	25-30PN
PC200	<b>205-70-74272 (35S)</b>	4,3	-	-	-	-	35-PN
PC300	<b>206-70-54221 (40S)</b>	7,5	-	-	-	-	40-PN
PC400	<b>208-70-34211 (45S)</b>	10,1	-	-	-	-	45-PN



**Trasteel**  
COMMODITY

## PORTADIENTES / ADAPTERS

Portadientes / Adapters



Talla Size	Referencia Reference	Peso Weight	A	B	C		Aplicación Application	Pasador Pin
PC200	<b>205-70-68141</b>	6,8	299	90	-	35	PC180 / PW180 / PC200	09244-02496
PC300	<b>207-70-14142</b>	14,8	367	115	-	40	PC210 / PW210 / PC220 / PC240 / PC280 / PC300 / PC340 / PC360 / PC380	09244-02516
PC400	<b>208-70-14143</b>	21,3	411	136	-	50	PC340 / PC360 / PC380 / PC400 / PC450	09244-03036
PC650	<b>209-70-74141</b>	44,5	563	199	-	80	PC600 / PC650 / PC750 / PC800	209-70- 54240
PC1250	<b>21N-70-14140</b>	76,8	699	176	-	85	PC800 / PC1000 / PC1100 / PC1200	21N-70- 14330



**DIENTES / TEETH**  
STD



Talla Size	Referencia Reference	Peso Weight	A	B	C	Portadientes Adapters	Pasador Pin
WA100	<b>201-70-24140</b>	1,8	-	-	-	-	-
WA180	<b>20X-70-14160</b>	2,3	175	77	65	-	-
WA300	<b>202-70-12130</b>	4,2	202	92	85	-	09244-02496
WA380	<b>423-847-1140</b>	8,6	-	-	-	-	09244-02516
WA500	<b>426-847-1110</b>	12,5	285	138	106	-	09244-03036
WA800	<b>427-70-13731</b>	31	-	-	-	-	21N-70-14330
W800	<b>427-70-13780</b>	50	-	-	-	-	21N-70-14330





Talla Size	Referencia Reference	Peso Weight	A	B	C	Aplicación Application	Tornillo Bolt	Tuerca Nut
-	<b>312204052</b>	6,4	-	-	20	-	3F5108	3F5108
-	<b>312204053</b>	6,4	-	-	20	-	3F5108	3F5108
-	<b>312204054</b>	4	-	-	20	-	3F5108	3F5108



**DIENTES / TEETH**  
**Ripper Elite**



-  Mayor Rendimiento  
Better Performance
-  Mayor Durabilidad  
Longer Wear-life
-  Mayor Penetración  
Higher Penetration
-  Autoafilante  
Self Sharpening
-  Diseño Elite  
Elite Design
-  Aleación De Alta Calidad  
High Quality Alloy



Fig. 1



Fig. 2

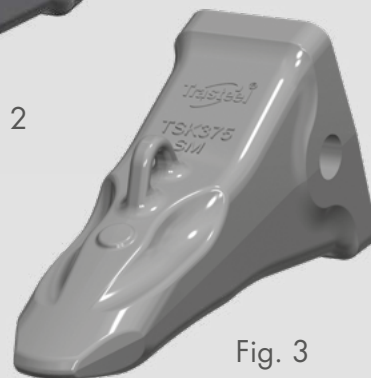
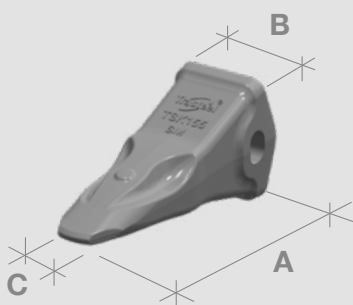


Fig. 3



Talla Size	Referencia Reference	Peso Weight	A	B	C	Figura Figure	Alternativa Alternative OEM	Aplicación Application	Pasador Pin
D65	<b>TSK65SM</b>	13,5	350	120	96	1	<b>141-78-11254</b>	D55 / D60 / D65 / D75	09244-02508
D155	<b>TSK155SM</b>	15,5	385	130	96	2	<b>175-78-31230</b>	D85 / D150 / D155	09244-02508
D355	<b>TSK355SM</b>	18,6	400	120	100	2	<b>195-78-21331</b>	D275 / D355	09244-02508
D375	<b>TSK375SM</b>	28,5	460	130	110	3	<b>195-78-71320</b>	D375	09244-03036

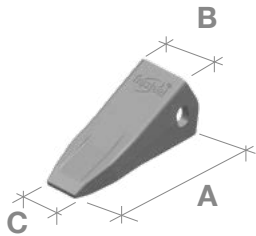
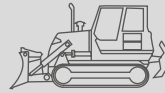


Fig. 1



Fig. 2

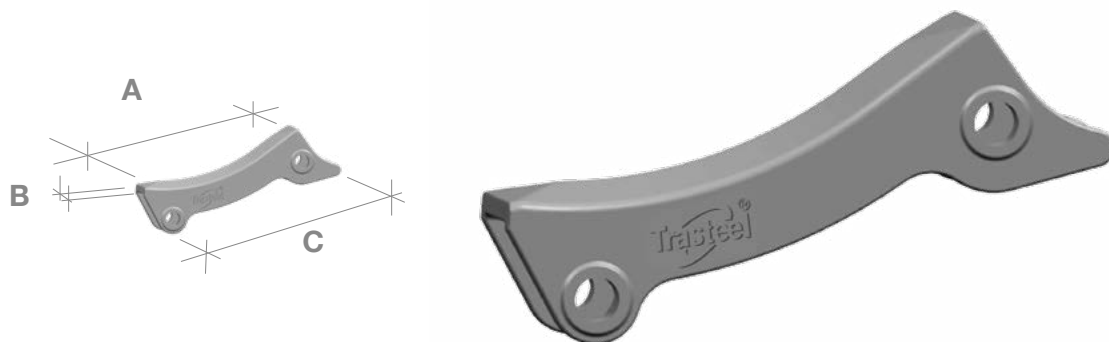


Fig. 3

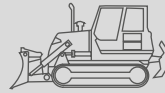
Talla Size	Referencia Reference	Peso Weight	A	B	C	Figura Figure	Aplicación Application	Pasador Pin
D45	<b>131-78-31190</b>	9,1	262	90	80	1	D40 / D45 / D50 / D53	09244-02496
D65	<b>141-78-11253</b>	12,2	278	128	100	3	D55 / D60 / D65 / D75	09244-02508
	<b>141-78-11254</b>	12,7	342	128	80	2	D55 / D60 / D65 / D75	09244-02508
D155	<b>175-78-31230</b>	15,2	335	125	75	3	D85 / D150 / D155	09244-02508
	<b>175-78-31293</b>	15,4	380	125	82	2	D85 / D150 / D155	09244-02508
D355	<b>195-78-21331</b>	16	385	123	75	3	D275 / D355	09244-02508
	<b>195-78-29140</b>	21,8	420	123	92	2	D275 / D355	09244-02508
D375	<b>195-78-71320</b>	26	440	130	90	2	D375	09244-02508
	<b>195-78-71350</b>	-	487	116	90	3	D375	09244-02508
D475	<b>198-78-21340IR</b>	44	481	166	95	-	D475	09244-03036
	<b>198-78-21350</b>	-	-	-	-	3	D475	09244-03036
	<b>198-78-21380</b>	-	-	-	-	3	D475	09244-03036



**COMPONENTES / COMPONENTS**  
Protectores de Ripper / Ripper Protectors



Talla Size	Referencia Reference	Peso Weight	A	B	C	Figura Figure	Aplicación Application	Pasador Pin
D155	<b>195-78-21320</b>	15,4	465	164	79	-	D155 - D275 - D355	09244-02508
	<b>195-78-21580</b>	23,6	721	126	79	-	D155 - D275 - D355	09244-02508
D375	<b>195-78-71111-B</b>	21,3	555	205	83	-	D375	09244-02508
	<b>195-78-72410</b>	52,8	898	222	78	-	D375	09244-02508
D475	<b>198-78-21330</b>	42	-	-	100	-	D475	09244-03036

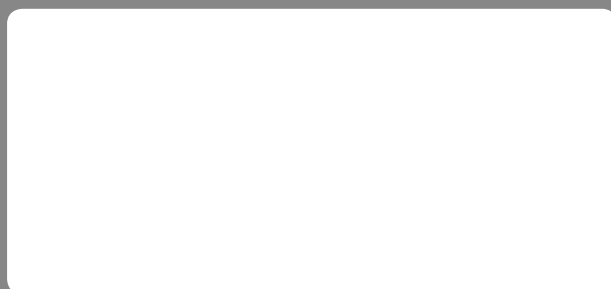


**.Trasteel**  
COMMODITY

**COMPONENTES / COMPONENTS**  
Cantoneras Fundido / Cast End Bits



Referencia Reference	RH / LH	Peso Weigth	Aplicación Application
144-70-11180	RH	14	D41 / D58 / D60 / D61 / D65
144-70-11190	LH	14	D41 / D58 / D60 / D61 / D65
175-71-22272	RH	39	D61 / D65 / D135 / D150 / D155
175-71-22282	LH	39	D61 / D65 / D135 / D150 / D155
175-70-21126	RH	38	D135 / D150 / 155
175-70-21136	LH	38	D135 / D150 / 155
17M-71-21930	RH	73,5	D155 / D275
17M-71-21940	LH	73,5	D155 / D275
195-71-61930	RH	110	D375 / D455
195-71-61940	LH	110	D375 / D455



[www.trasteelwearparts.com](http://www.trasteelwearparts.com)