



JCB



DIENTES / TEETH Elite



Mayor Rendimiento
Better Performance



Mayor Durabilidad
Longer Wear-life



Mayor Penetración
Higher Penetration



Autoafilante
Self Sharpening



Diseño Elite
Elite Design



Aleación De Alta Calidad
High Quality Alloy

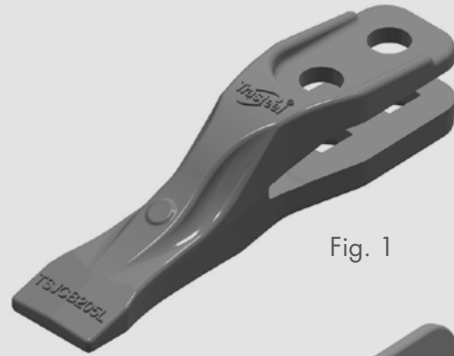
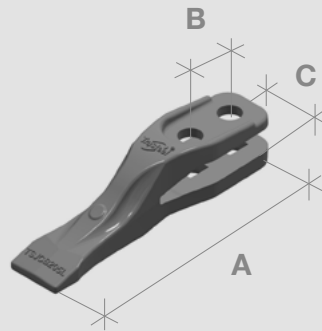


Fig. 1



Fig. 2



Talla Size	Referencia Reference	Peso Weight	Figura Figure	A	B		Alternativa Alternative OEM	Tornillo Bolt	Tuerca Nut
3CX	TSJCB205L	2,32	1	250	45	20	531/03205	5J-4773	2J-3506
	TSJCB208L	4,9	2	260	45	20	531/03208	5J-4773	2J-3506
	TSJCB209L	4,9	2	260	45	20	531/03209	5J-4773	2J-3506



Fig. 1

Fig. 2

Fig. 3

Talla Size	Referencia Reference	Peso Weight	Figura Figure		Tornillo Bolt	Tuerca Nut
3CX	531/03205	2,3	1	22	5J4773	2J3506
	531/03206	4,5	2	22	5J4773	2J3506
	531/ 03207	4,5	3	22	5J4773	2J3506
	531/03208	4,8	2	22	5J4773	2J3506
	531/03209	4,8	3	22	5J4773	2J3506