



Trasteel WEAR PARTS

Take full advantage
of Profitability
on Track



**Your machine got
a thing for Trasteel**

Trasteel Wear Parts is a leader in spare parts for public works, construction, and mining machinery. Since its inception, this brand has aimed at providing an excellent final product. To this end, a great deal of attention has been paid to all the aspects, starting from the design to the selection of raw materials and production processes. This is what characterizes **Trasteel Wear Parts**.

The main objective of this **global brand** is to combine design and technology to offer maximised return in the field.

One of the major divisions of **Trasteel Wear Parts** is the undercarriage providing with two clearly distinguished lines:

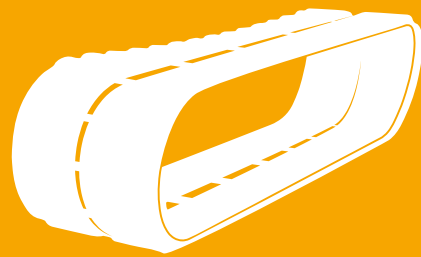
.Trabber

Rubber tracks and shoes for Mini and Midi Excavator.

.Trasteel **TRACK**

All kinds of undercarriage components for Excavator, Bulldozer and any machine with track system.

.Trabber



**Rubber
Tracks**

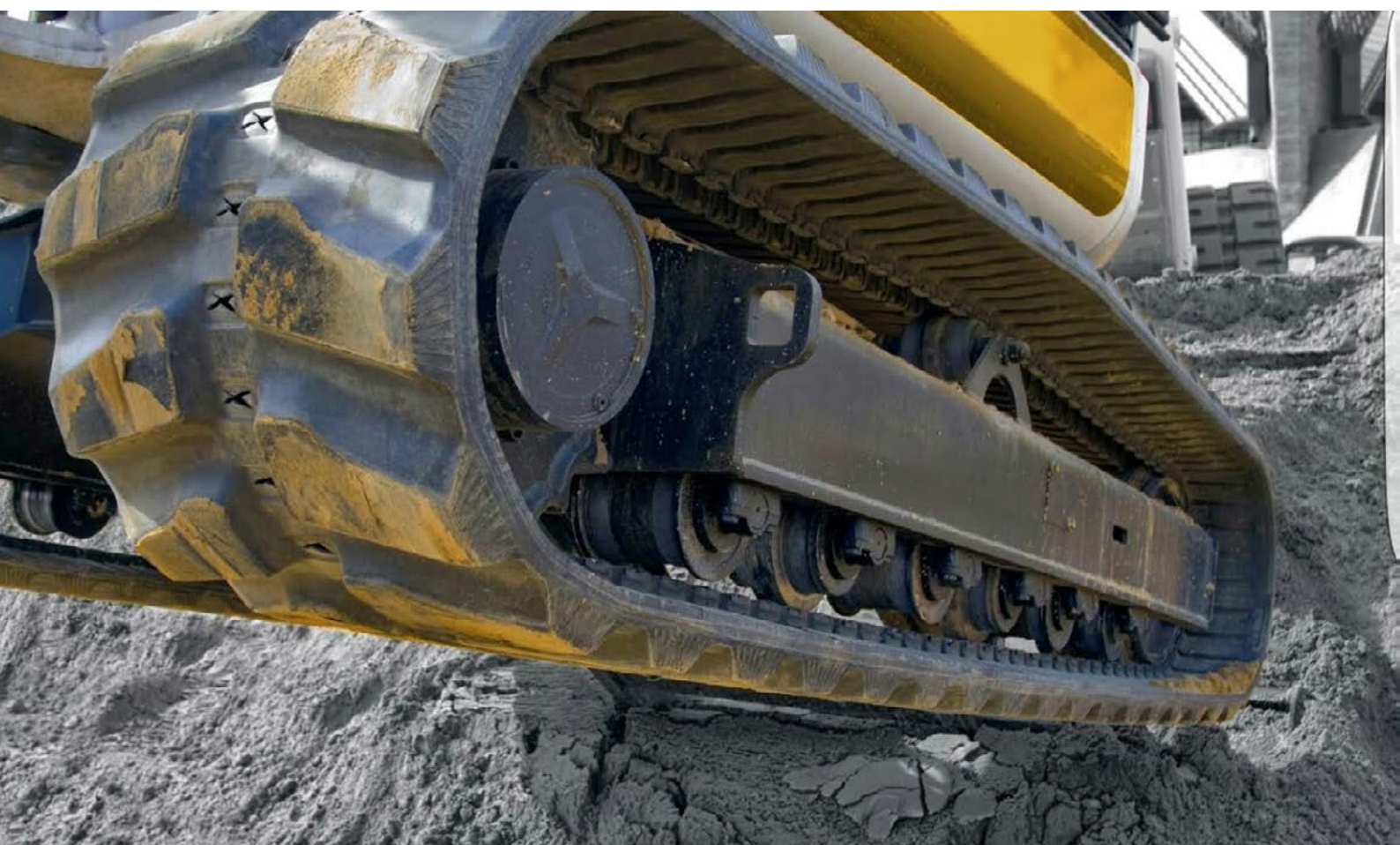
Trabber

Trabber offers a wide range of rubber tracks that are suitable to most machinery brands in the market.

Trabber tracks are manufactured with the best raw materials and by following the most advanced production processes, making it an excellent-quality final product. This further extends the lifespan of the product, consequently minimising the maintenance costs.

We are talking about a product that is at the cutting edge of design and technology and is capable of an optimal performance.

Trabber tracks are highly dependable on the field, fulfilling the work done efficiently and productively.



GL System

The **GL System** is based on Trabber's unique, tried and tested technology which, owing to its reliable features, helps exceeds your expectations of productivity and profitability.



STRUCTURE OF THE RUBBER TRACK

Greater flexibility of the track

Prevention of premature breakages

Reinforced sides

Prevention of cuts

Superior-quality rubber

Increased durability

Better contact surface

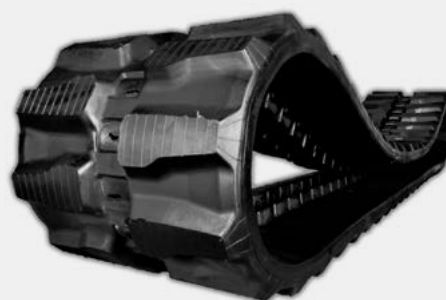
Improved wear resistance

High-quality steel track cord with protection

Better tensile strength

Forged sprocket teeth

Lower incidence of breakage



Rubber Pads

Trabber also offers shoes to be fitted on a steel track in three different versions:

BOLT-ON | CHAIN-ON | CLIP-ON

The market rigorousness for more and more versatile machines, to perform all kinds of works in any place and type of surface, encourages us to provide the customer with our **Trabber** rubber pads.

Three diverse versions of rubber pads, to meet the specific needs of the client, which are adaptable to most mini and midi excavators and construction excavators up to 25 tonnes.

These are always manufactured with the highest quality standards and, hence, stand out for their efficiency and durability. The **Trabber** guarantee.

STEEL TRACK + BOLT-ON TRACK PAD



The Bolt-On track pad is directly assembled to the steel shoe, thereby offering better flexibility.

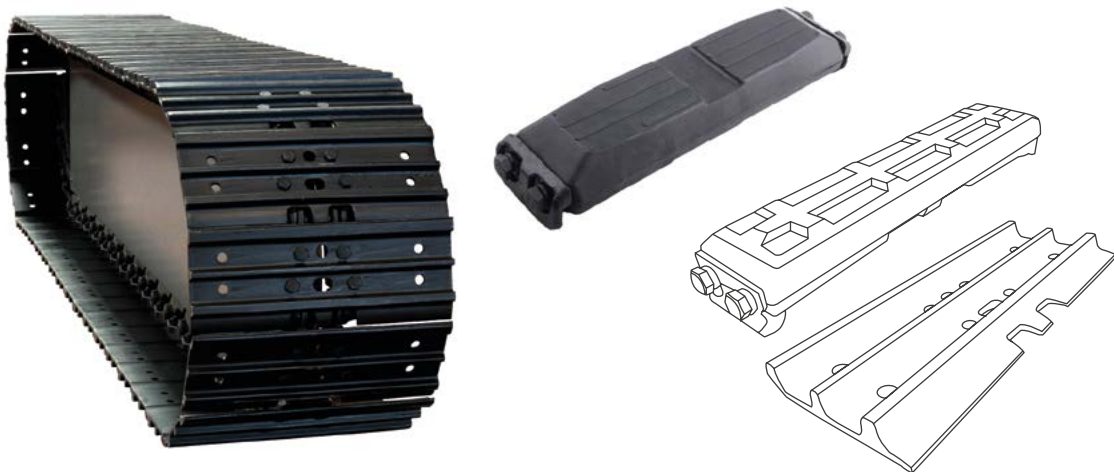


STEEL TRACK + CHAIN-ON TRACK PAD



The Chain-On track pad is directly assembled to the track which helps minimise costs.

STEEL TRACK + CLIP-ON TRACK PAD

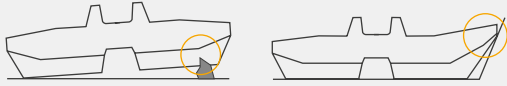


The Clip-On track pad makes it possible to easily transform any machine with rubber/to rubber traction category.

DAMAGES IDENTIFICATION AND PREVENTION

CUTS, FRACTURES AND BREAKAGES

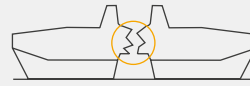
A- Cuts or fractures on the track



Prevention:

- Avoid driving on steep, sloping surfaces or narrow paths.
- As much as possible, avoid long distance driving.
- Constantly monitor the tension.
- Prevent contact with walls, sharp edges or ditches.

C- Cuts on the track pads

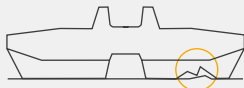


Prevention:

When operating on environments like forests, unpaved roads and construction areas, it is advisable to:

- Drive with caution.
- Avoid excessive load and speed.

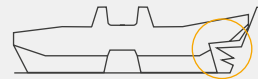
B- Breakage of steel track link



Prevention:

- Regularly monitor and maintain adequate tension.
- Drive carefully on slopes and avoid sharp turns.

D- Cracks and scratches on the track sides

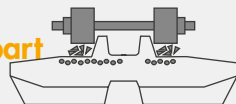


Prevenión:

In order to avoid excessive impact on the track sides, extreme caution must be exercised while driving on the surfaces that may cause damage.

ABRASIONS

E- Abrasion on the track's internal part



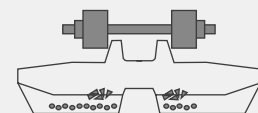
Prevention:

It is recommended to wash the inside of the track in order to clean out any kind of gravel or other materials stuck on it. This is especially advisable after operating in damp areas.

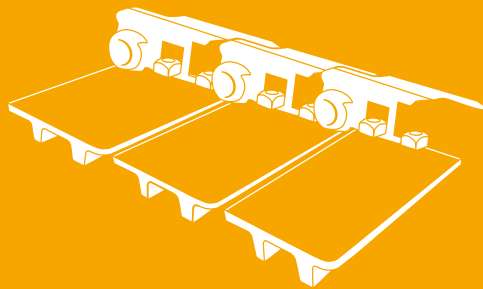
F- Abrasion in the track pads

Prevention:

For long distances, it is recommended to use some kind of means to transport the machine. Also, abrasion can be significantly reduced by avoiding unnecessary turns or aggressive driving.



.Trasteel
TRACK



**Undercarriage
Components**

Trasteel TRACK

Trasteel Track offers an extensive assortment of undercarriage components for all types of equipment with track system.

- Mini and Midi Excavators
- Excavators
- Bulldozers
- Asphalt Pavers
- Drilling Machines

All the parts are tested and guaranteed to deliver optimal performance and superior durability.





Trasteel Track offers a complete range of supplementary undercarriage parts so that you can always find required spare parts or replacements for your tracks at your disposal. At Trasteel Wear Parts, maximising the return on your machinery is our commitment.

BULLDOZER UNDERCARRIAGE



- Lubricated and greased tracks
- Standard and high-performance shoes
- Track and top rollers
- Sprocket segments and full segments
- Front idler with or without brackets
- Nuts and bolts – Hardware

EXCAVATOR UNDERCARRIAGE





Polígono industrial Las Capellanías
C/ Alpargateros, 1 - parcelas 119-120
E10005 CÁCERES (Spain)
+34 927 230 834

www.cohidrex.es